

- *Highly accurate heading information readily available*
- *Stable and fast follow-up capability for rapid rate of turn*
- *Maintenance free*



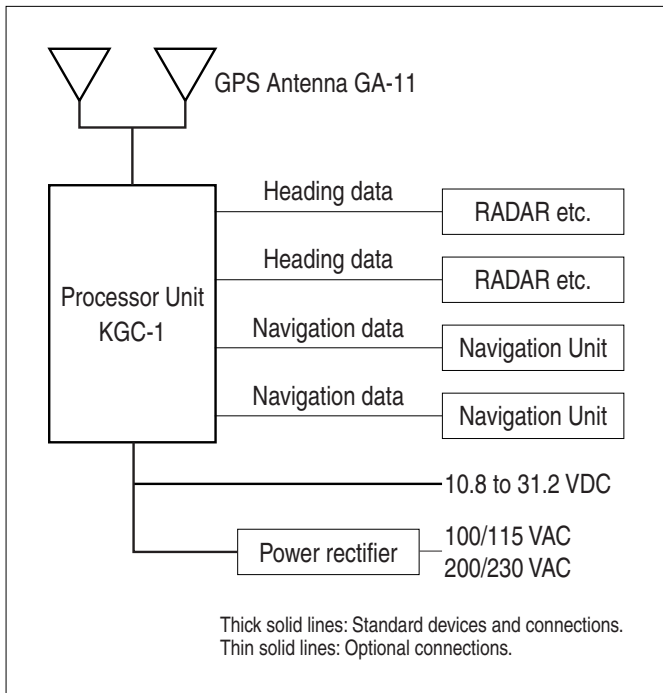
FEATURES

- The 1° rms heading accuracy has been achieved based on KODEN'S unique phase measurement technique.
- Fast start-up! Heading information is available in approximately 2 minutes after the unit is turned on.
- In addition to the heading information, the unit provides own position and speed information.
- Unlike the conventional gyrocompass, no routine checks or maintenance are necessary.

SPECIFICATIONS

Receiving frequency	1575.42 MHz ± 1 MHz
Receiving channel	Parallel 9 Channel
Sensitivity	Better than -130 dBm
Setting time	2min (at standard hot-start time)
Heading accuracy	1° rms
Heading resolution	0.1°
Rate of turn	Less than 25°/s
Follow-up acceleration	Less than 1 g
Pitch / roll angle	Less than 30°
Base line length	0.5 m
Time to position fix	Cold start 50 sec (standard) Warm start 45 sec (standard) Hot start 20 sec (standard)
Positioning accuracy	Position GPS: 15 m (2drms, SA=OFF, PDOP≤3) Velocity 1 m / sec (rms, SA=OFF, PDOP≤3)
Datum	86 system (WGS-84, Tokyo etc.)
Output data level	RS-422
Output data port	Heading data output: 2 (50 ms to 1 s) Navigation data output: 2 (1 s)
Output data format	NMEA0183Ver.2.0/IEC61162-1
Output data sentence	HDT, ROT, GGA, VTG, GLL, ZDA, GSA, GSV, RMC, PKODA, PKODG1, PKODG7
Power supply	Voltage 10.8 to 31.2 VDC Consumption Less than 8 W (at 24 VDC)
Temperature range	GPS Antenna -25°C to +55°C Processor Unit -15°C to +55°C
Waterproof grade	GPS Antenna IPX6 Processor Unit IPX0

CONNECTIONS



EQUIPMENT LIST

Standard equipment

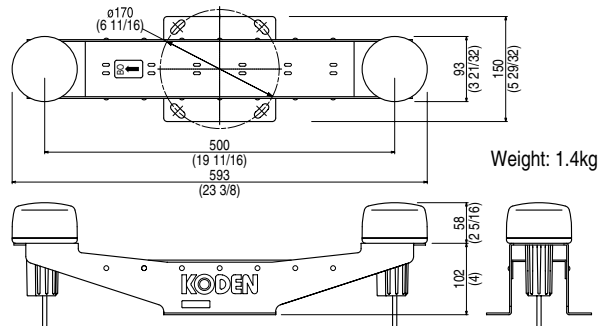
Processor Unit	KGC-1		1.2kg
GPS Antenna	GA-11		1.4kg
DC Power cable	CW-255-2M	With a 3A fuse	2m
Antenna cable	CW-392-15M	2 pcs. per set	15m
Connecting cable	CW-376-5M	With 6-pin waterproof connector and one end plain	5m
Fuse	F-7161, 3A	For spare	1
Installation Material			1set
Operation manual			1

Option

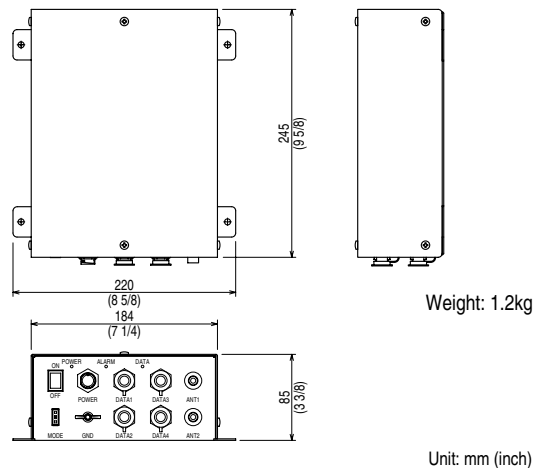
Antenna Cable	CW-393-30M	2 pcs. per set	30m	
	CW-394.KIT	2 pcs. per set	60m	
	Connecting cable	CW-373-5M	With 6-pin waterproof connectors at both ends	5m
	CW-374-5M	With a 6-pin connector and a 6-pin waterproof connector	5m	
Connecting cable	CW-376-5M	With a 6-pin waterproof connector and one end plain	5m	
	CW-381-5M	With a 38-pin connector and a 6-pin waterproof connector	5m	
	Connector	LTWBD-06BFFA-L180	6P waterproof connector (LTW)	1
Power Rectifier	PS-003A	With 2 spare fuses(5A)	2.8kg	
AC power cable	VV-2D8-3M	Flying leads on both ends	3m	

DIMENSIONS AND WEIGHT

GPS Antenna GA-11



Processor Unit KGC-1



* Specifications subject to change without notice.

KODEN

KODEN ELECTRONICS CO., LTD.

OVERSEAS DEPT.

13-24, TAMAGAWA 2-CHOME, OTA-KU

TOKYO, 146-0095 JAPAN

TEL : +81 3 3756-6918

FAX : +81 3 3756-6831

E-MAIL: overseas@koden-electronics.co.jp

www.koden-electronics.co.jp

Certified to ISO 9001 (TUV PRODUCT SERVICE)



Safety precaution

To ensure proper and safe use of the equipment, please carefully read and follow the instructions in the OPERATION MANUAL.

FOR DETAILS, PLEASE CONTACT: