

DIGITAL

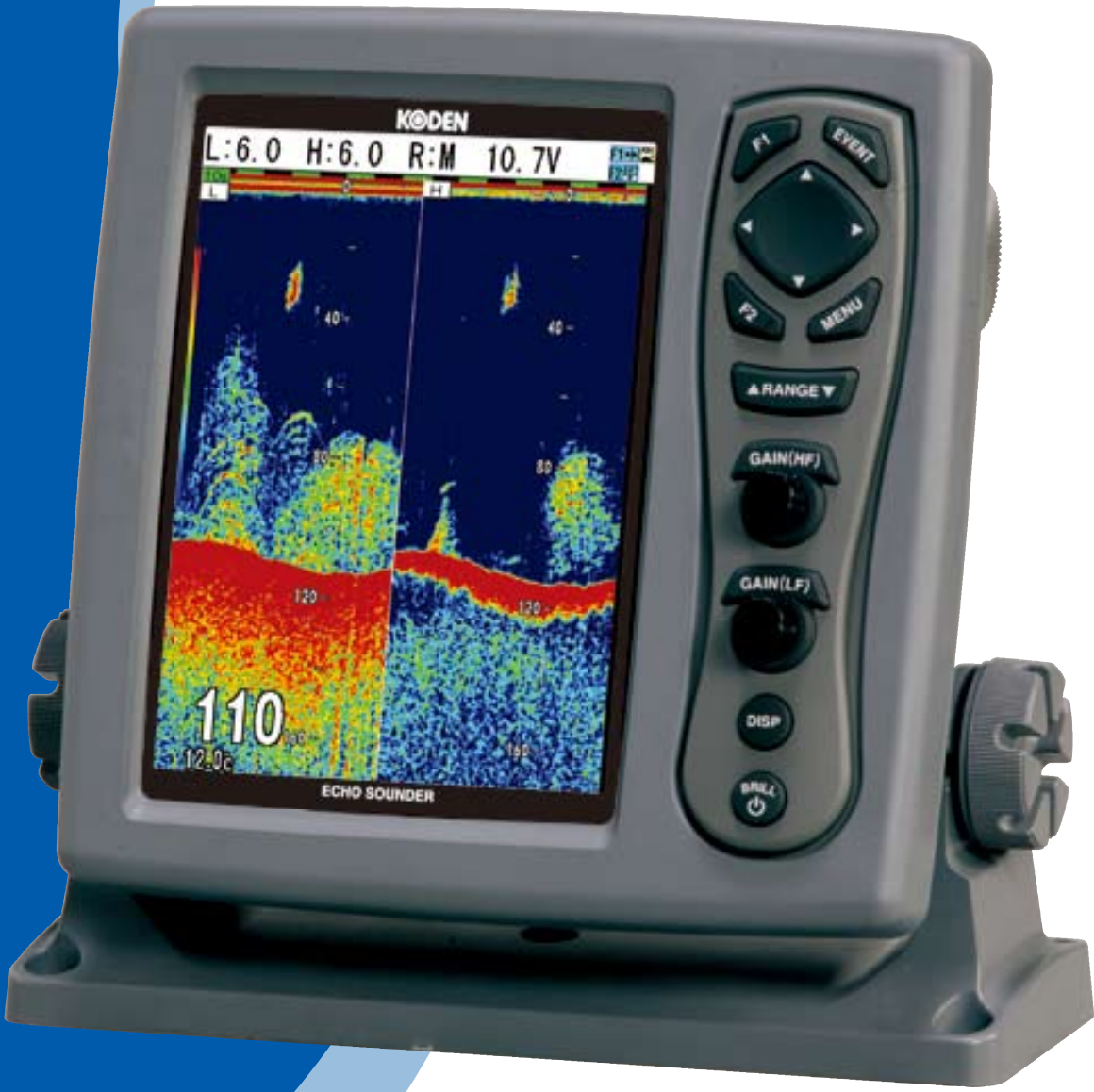
8.4-inch Color LCD  
Echo Sounder

KODEN

CVS-128

600W / 1kW • 50/200kHz

# Digital Brings Big Catch



## FEATURES

### Digital

- ▶ The Koden Digital Filtering (KDF™) feature eliminates clutter by filtering out the noise to provide a clearer more detailed image that enhances fish targets in shallow and deep depths
- ▶ More sophisticated digital filter makes it easier to differentiate between baitfish, larger fish, schools of fish and the sea floor.

### RGB Output to VGA Monitor

- ▶ RGB output available for connecting external VGA monitor. You can see what is happening even when you are away from main display.

### Sona-Tone™

- ▶ Exclusive Sona-Tone™ identifies what's under your boat with different sounds for fish and schools of fish

### Easy Operation

- ▶ Simply arranged keypad, knob and comprehensive on-screen menus give easy access to all system functions.

### Store Image

- ▶ Stores up to 10 screen images in built-in memory for recall later by "one-touch".
- ▶ Great for recalling a potential hot spot for review later.

### Fishing Hot Spot

- ▶ Leads you back to your favorite fishing hot spots or other previously saved positions in memory with input from optional GPS sensor.

### Auto Function

- ▶ For best performance the Auto function mode chooses the most reliable setting for such functions as Gain, Range, and Shift.

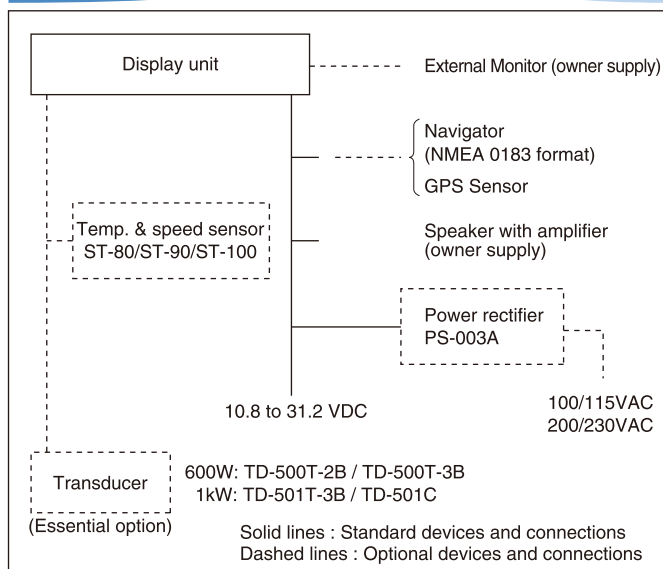
### Sunlight Viewable

- ▶ Brilliant 8.4" color LCD display with 8, 16 or 64 color levels and an anti-reflective coating for excellent readability in direct sunlight.

## EQUIPMENT LIST

Standard equipment	Display unit with hard cover, Mounting bracket	1 set
	DC power cable, Installation material, Spare parts, Accessories and Operation manual, Quick reference	1 set
Essential option	Transducer	
Options	Temp. & speed sensor, Connection cables for external devices, Inner-hull kit, Power rectifier, AC Power cable	

## CONNECTIONS



## SPECIFICATIONS

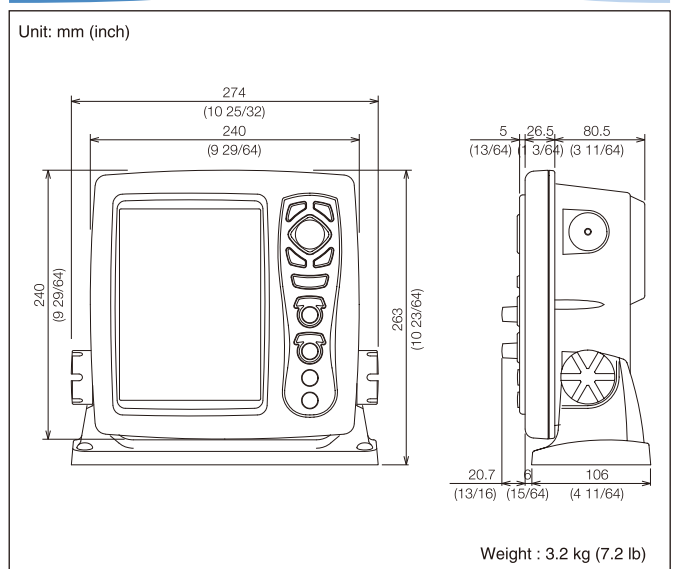
Model	CVS-128
Power output	600 W / 1 kW
Display size / type	8.4 inch color TFT LCD
Display resolution	640 x 480 pixels
Presentation colors	64 colors / 16 colors / 8 colors / Monochrome + background color (blue, dark blue, black, white, Nighttime color, other 5 colors)
Language	Chinese, English, French, Greek, Italian, Japanese, Korean, Spanish, Thai
Output frequency	Dual 50 / 200 kHz
Basic range	2.5 to 1200 (Meter), 10 to 3600 (Feet), 2.5 to 700 (Fathom / I.Fathom). Choice of 8 ranges with 31 selectable depths in each range.
Zoom range	2.5 to 200 (Meter) 23 steps 10 to 650 (Feet) 23 steps 2.5 to 150 (Fathom / I.Fathom) 23 steps
Image shift	Auto or Manual 0 to 300 (Meter / Fathoms / I.Fathom) or 0 to 1000 (Feet)
Presentation modes	High frequency, Low frequency, Dual frequency, Zoom image (Bottom lock, Bottom dis-crimination, Bottom zoom, Zoom, Sea bottom partial zoom), Nav mode A-scope display can be added to all above modes Left and right divided
Alarms	Bottom alarm, Fish alarm, Temperature alarm*, Speed alarm**, Arrival alarm***, XTE alarm***
Image speed	9 steps & stop
Auto functions	Depth range, Shift, Gain
Distance unit	m, fm, I.fm, ft
Input data format and sentences	NMEA0183 (GGA, GLL, HDT, MTW, MWV, RMC, VHW, VTG, ZDA)
Output data format and sentences	NMEA0183 (DBT, DPT, GGA, GLL, HDT, MTW, MWV, RMC, TLL, VHW, VTG, ZDA)
NMEA input/output ports	1
Functions	Interference rejection, Color rejection, Depth marker (VRM), Noise rejection, White line Draft adjustment, Temperature correct, Boat speed correct, Background color change Store Image (10 images), Sona-Tone, Fishing Hot Spot, Event memory Simple plotter, Panel illumination, Power reduction
Power supply	10.8 to 31.2 VDC
Power consumption	25W or less (at 12VDC)
<b>Environmental</b>	
Water protection	IPX5
Operating temperature	-15°C to +55°C

\* Requires temperature data from Temp sensor

\*\* Requires speed data from speed sensor or GPS sensor

\*\*\* Requires speed data from GPS sensor

## DIMENSIONS AND WEIGHT



Liste des distributeurs PST disponible sur demande

Equipements électroniques

Zac de la Plaine - 1, Rue Brindejonc des Moulinais  
31500 TOULOUSE  
www.pst-france.fr

Tél. : +33 (0)5 67 77 94 44  
Fax : +33 (0)5 67 77 94 49  
info@pst-france.fr